

**RZ sheaves, unsupported**

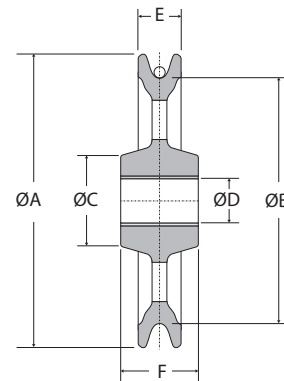


**Properties**

- Suitable for hand and mechanical applications.
- Maintenance-free design.
- Steel.
- Self-lubricating bearings

**Norm:**

- EN12100-1/2, EN 13157



Type	WLL by hand (kg)	WLL mech. (kg)	Cable diameter (mm)	A (mm)	B (mm)	C (mm)	D (mm)	E (mm)	F (mm)	ProductId
RZ-0.5	500	250	5 - 6	150	125	46	22	22	40	3063001
RZ-1.0	1000	500	8 - 10	235	200	78	40	32	50	3063003
RZ-2.0	2000	1000	12 - 14	325	280	108	60	41	70	3063005
RZ-3.0	3000	1500	16 - 18	400	340	110	70	51	87	3063007

**RBZ sheaves, supported**

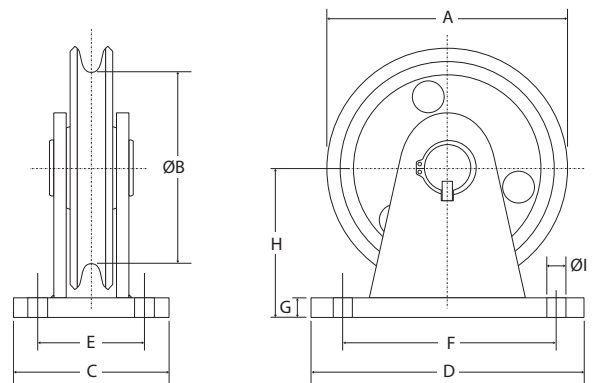


**Properties**

- Suitable both for manual and mechanical drive.
- Maintenance-free design.
- Sheave dimensions according to RZ-0,5 to RZ-3,0.
- Steel stand.
- A cable guide is provided on the support.
- Self-lubricating bearings.

**Norm:**

- EN12100-1/2, EN 13157



Type	WLL (kg)	Cable diameter (mm)	A (mm)	B (mm)	C (mm)	D (mm)	E (mm)	F (mm)	G (mm)	H (mm)	I (mm)	Weight (kg)	ProductId
RBZ-0.5	500	5 - 6	150	125	82	115	55	88	15	92	11.5	3.25	3064001
RBZ-1.0	1000	8 - 10	235	200	108	187	70	150	20	138	18	10.6	3064003
RBZ-2.0	2000	12 - 14	325	280	143	260	95	212	25	190	23	31.0	3064005
RBZ-3.0	3000	16 - 18	400	340	188	330	130	242	30	236	28	52.0	3064007